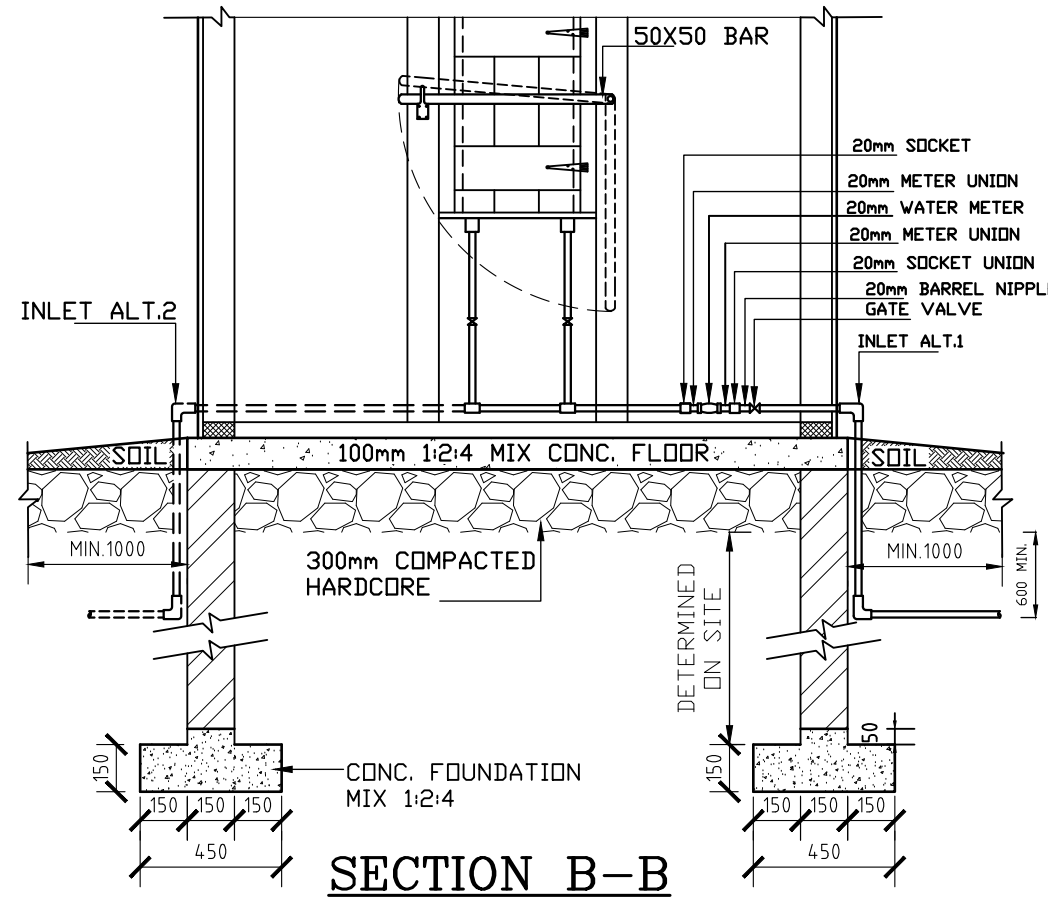
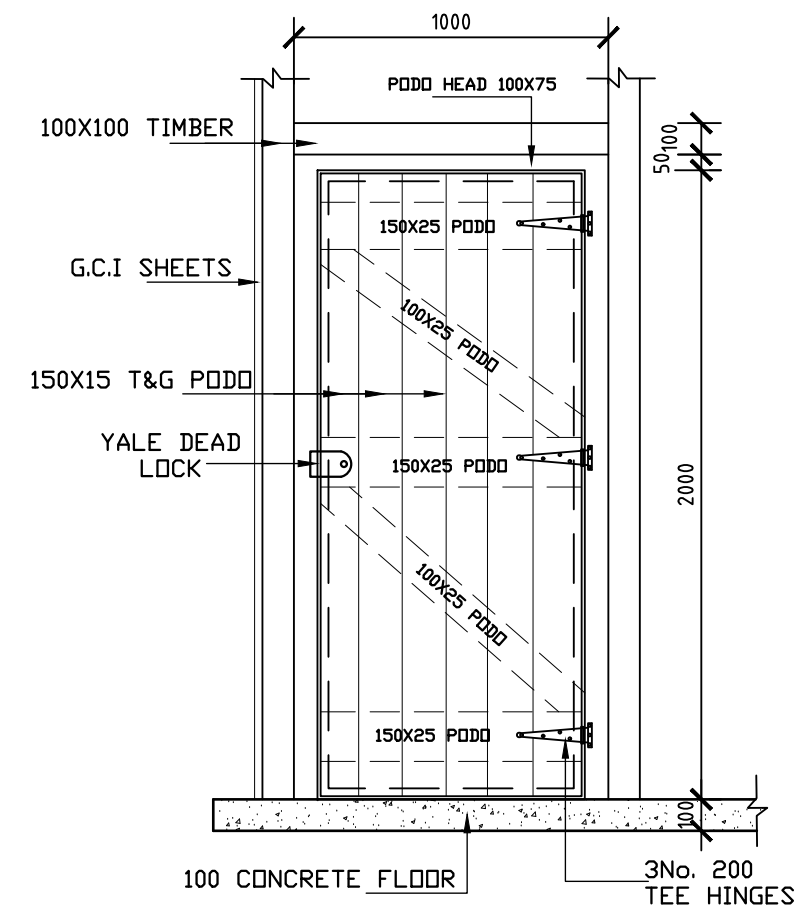


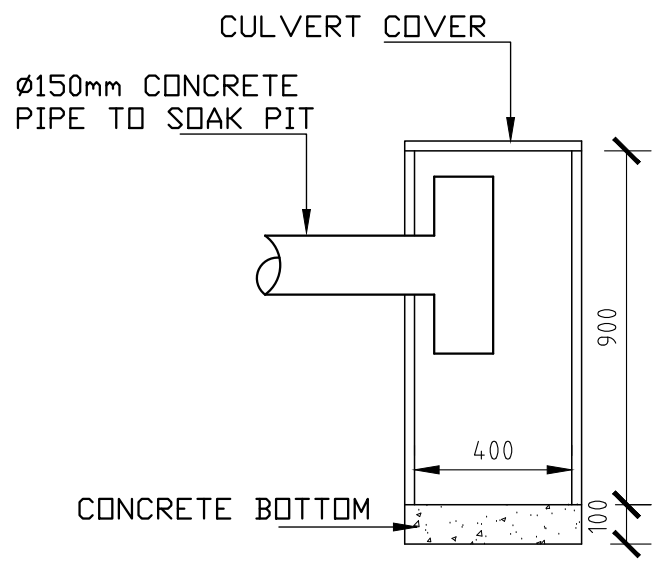
**PLAN**  
SCALE 1:25



**SECTION B-B**  
SCALE 1:25



**DETAIL OF DOOR**  
SCALE 1:25



**DETAIL OF CULVERT RING**  
SCALE 1:20

NATIONAL ENVIRONMENTAL AUTHORITY 

**WATER KIOSK**  
ALL DIMENSIONS IN MILLIMETERS

DESIGNED	ENN	Sep 2019	SHEET 1 OF 4
DRAWN	ENN		SCALE: AS SHOWN
DIGITIZED	ENN		DRG. NO.
CHECKED	ENG. GITAHI		
APPROVED	ENG. GITAHI		001