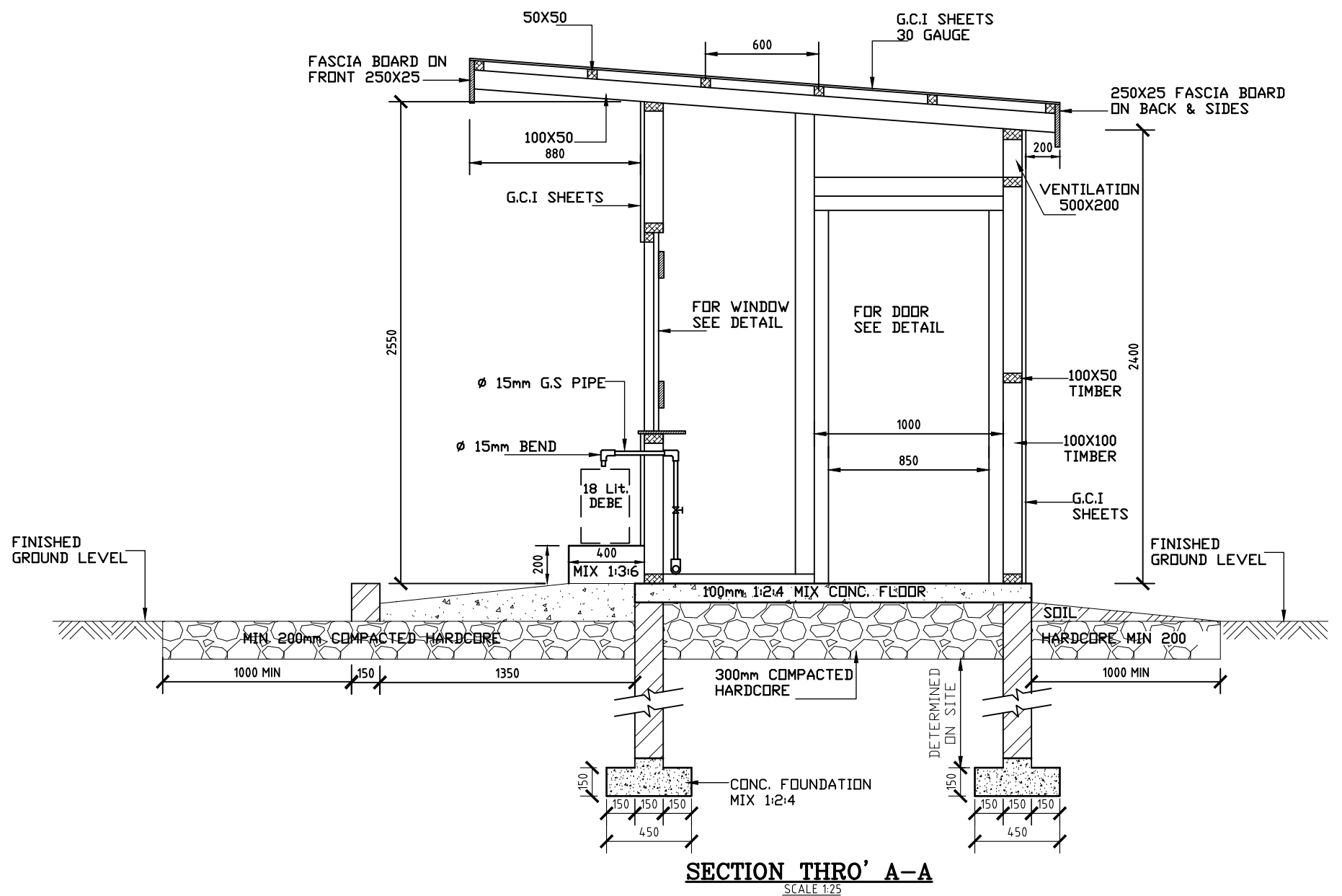


DETAIL OF WINDOW
SCALE 1:10



SECTION THRO' A-A
SCALE 1:25

NATIONAL ENVIRONMENTAL
AUTHORITY



WATER KIOSK

ALL DIMENSIONS IN MILLIMETERS

DESIGNED	ENN	Sep 2019	SHEET 2 OF 4
DRAWN	ENN		SCALE: AS SHOWN
DIGITIZED	ENN		DRG. NO.
CHECKED	ENG. GITAHI		
APPROVED	ENG. GITAHI		001