

**DETAILS OF HINGE (VIEW AT Y-Y)**

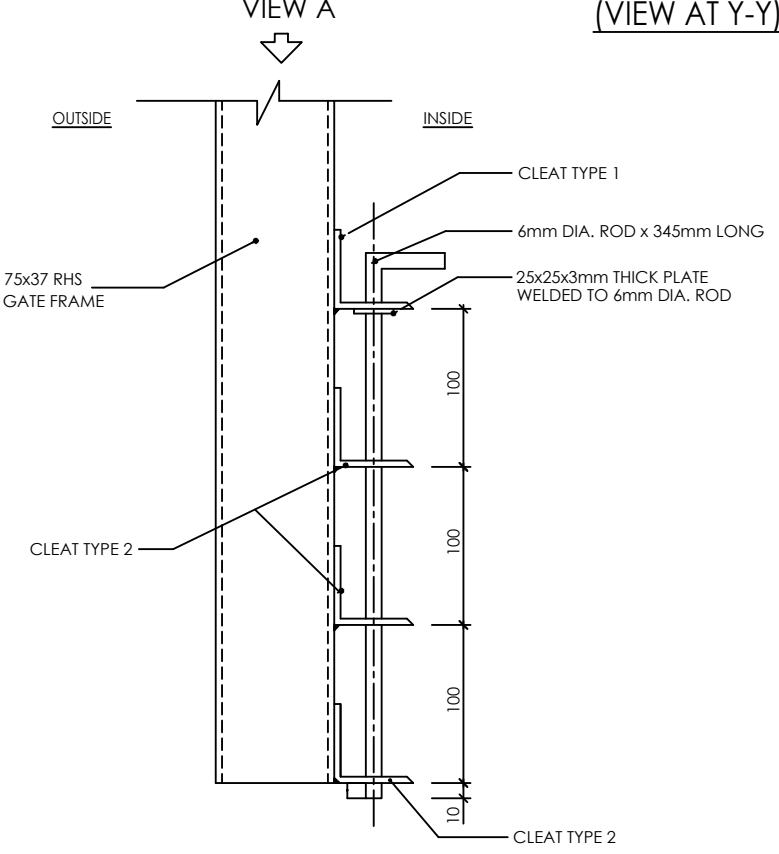
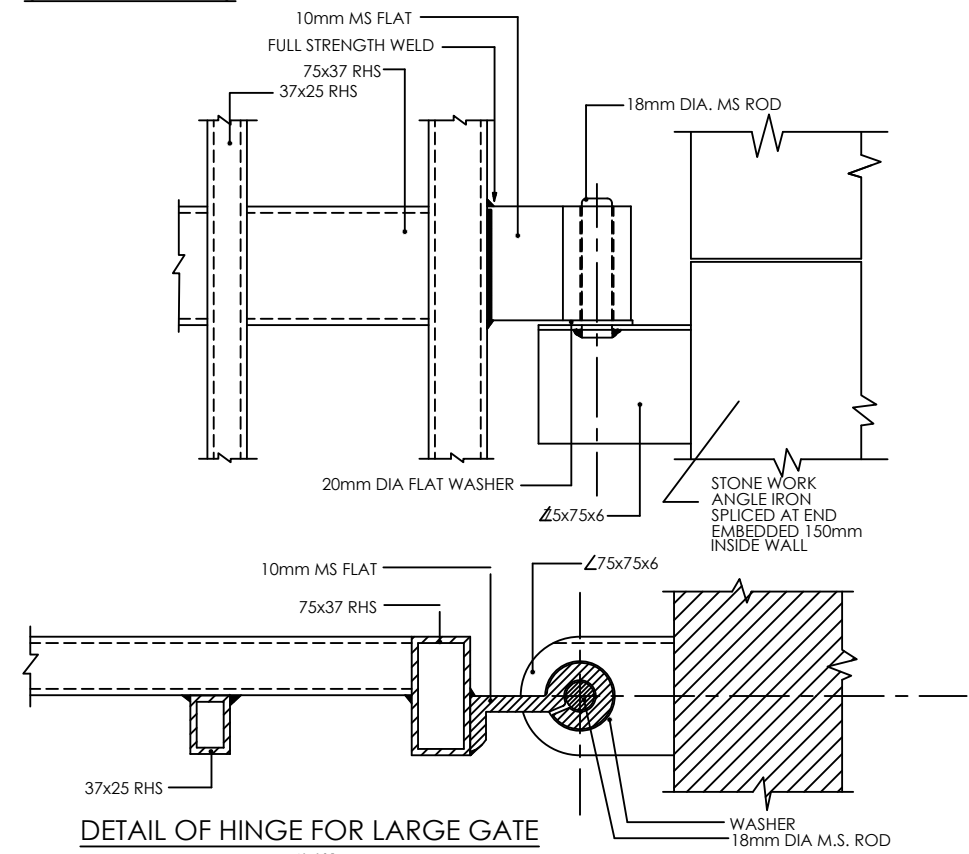
**DETAILS OF 4m WIDE GATE ELEVATION**

**ELEVATION**

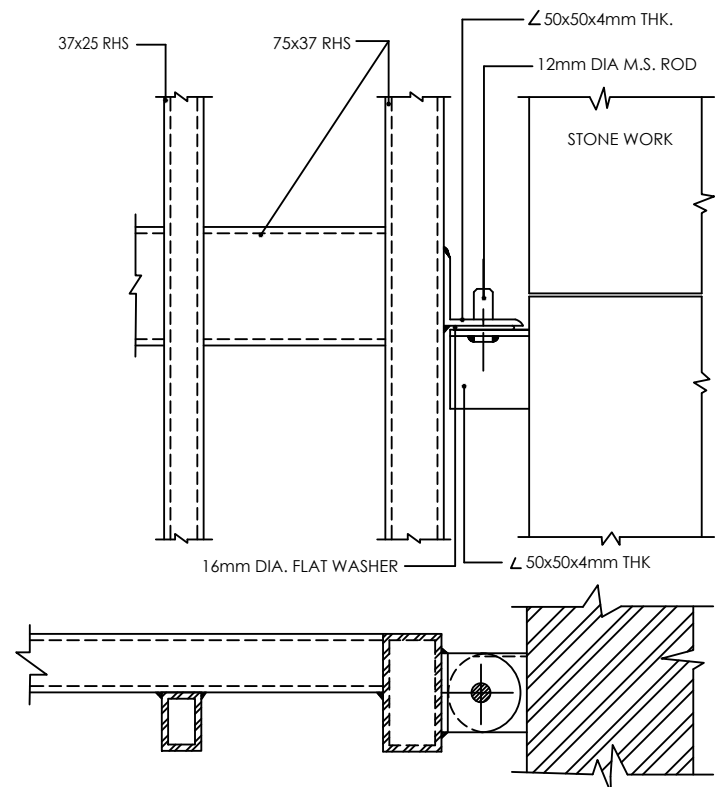
**DETAILS OF HINGE (VIEW AT Y-Y)**

**DETAILS OF 2m WIDE GATE ELEVATION**

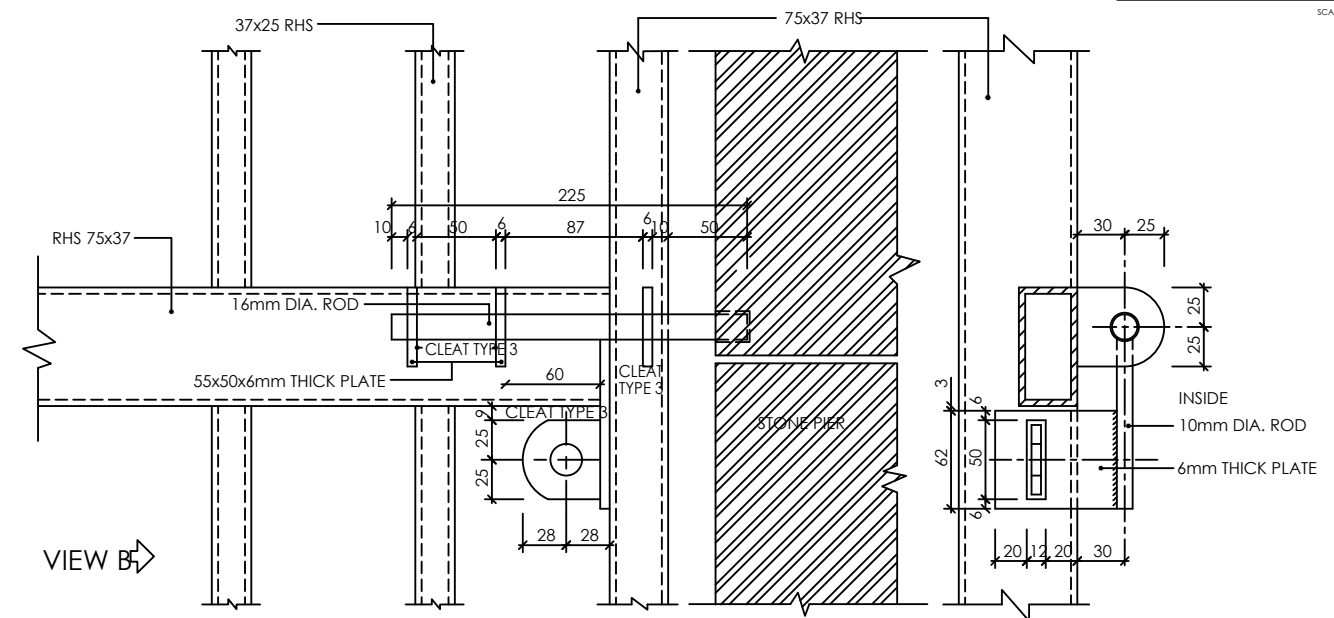
**ELEVATION**



**DETAIL OF DROP BOLT FOR LARGE GATE**

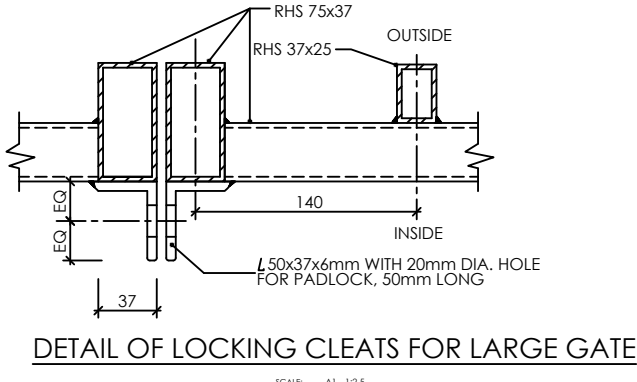


**DETAIL OF HINGE FOR SMALL GATE**

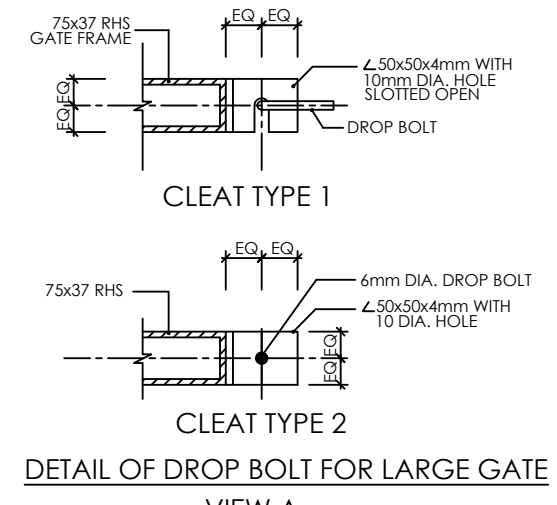


**DETAIL OF LOCKING BOLT FOR SMALL GATE**

**VIEW B**



**DETAIL OF LOCKING CLEATS FOR LARGE GATE**



**DETAIL OF DROP BOLT FOR LARGE GATE**

**VIEW A**

REVISION	DESCRIPTION	DATE
CLIENT		
NATIONAL ENVIRONMENTAL AUTHORITY		
MANAGING DIRECTOR _____ DATE _____		
CONSULTING ENGINEERS		
QUANGA ENGINEERS		
DRAWING TITLE		
4m WIDE GATE DETAILS		
DRG NO: QN/S01		
SHEET: 1 OF 1		
SCALE: 1:150		
DATE	SCALE: A1 1:2.5, A3 1:5	DRAWN: _____
DRAWING NO.	(SHEET 1 OF 1)	CHECKED: _____