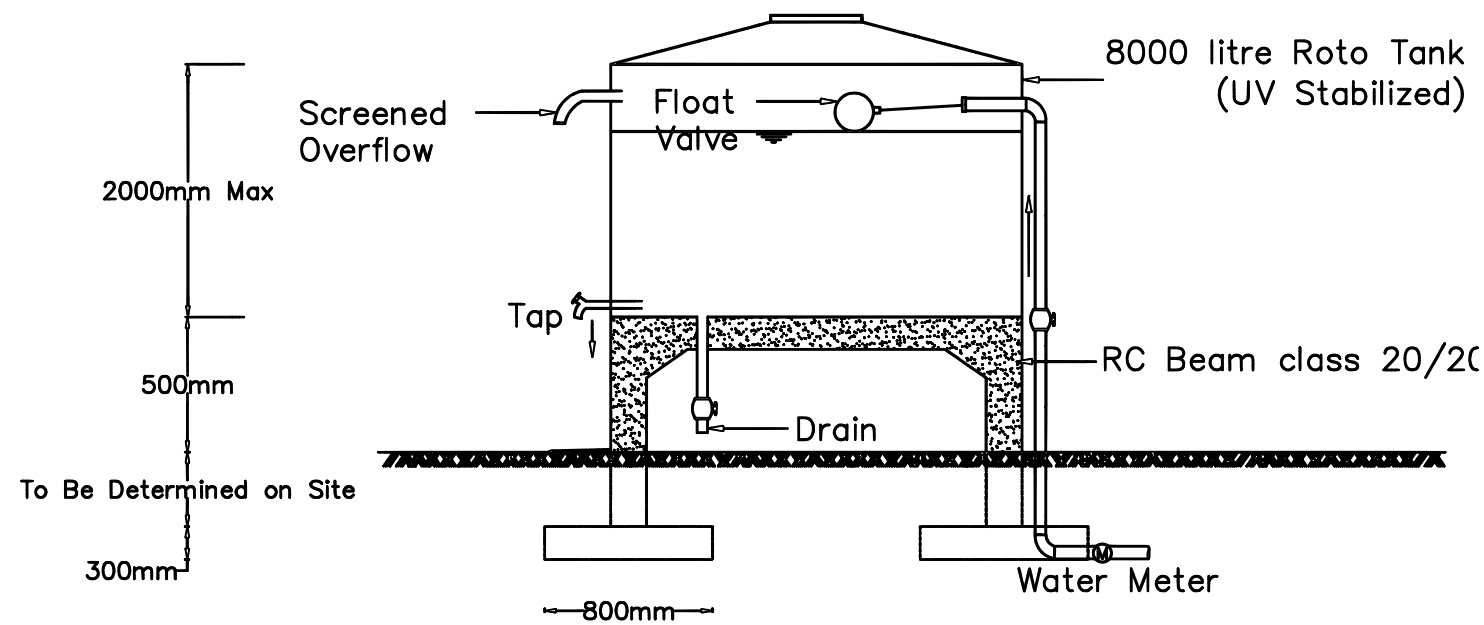


TYPE A Standpipe

TYPE B Standpipe

TYPE C Standpipe



Water Tank serving Stand Pipe

GENERAL NOTES:

1. THIS DRG. SHALL BE READ IN CONJUNCTION WITH RELEVANT DRGS. AND ANY DISCREPANCY REPORTED IMMEDIATELY.
2. ALL DIMENSIONS ARE IN MILLIMETRES.
3. DO NOT SCALE THIS DRG., USE INDICATED DIMENSIONS.
4. UNLESS OTHERWISE STATED CONCRETE MIX SHALL BE AS FOLLOWS:
 - A-BLINDING: CLASS 15 - 1:3:6 NORMAL MIX
 - B-ALL OTHER CONCRETE CLASS 20-1:2:4 MIX
5. UNLESS OTHERWISE SHOWN CONCRETE COVERS TO MAIN REINFORCEMENTS SHALL BE AS FOLLOWS:
 - A-FOUNDATIONS - 40mm.
 - B-BASES - 40mm.
 - C-COLUMNS - 40mm
 - E-BEAMS - 25mm
 - F-SLABS - 25mm
 - MAXIMUM TOLERANCE TO CONCRETE COVERS IS 15
6. ALL REINFORCEMENT BARS TO BE IN ACCORDANCE WITH B.S 4449 AND MESH FABRIC TO BE MADE FROM COLD WORKED STEEL BARS IN ACCORDANCE WITH B.S 4483.
7. FOUNDATION DEPTH TO BE FIXED BY THE ENGINEER AND SHALL NOT BE BLINDED BEFORE HIS APPROVAL
8. LAPS TO ALL BARS TO BE 50XDIAMETER OF THE BAR
9. ALL REINFORCEMENT BARS TO BE CUT ON SITE AFTER CONFIRMING THE DIMENSIONS AND ANY DIFFICULTY REFERRED TO THE ENGINEER
10. ALL PLACEMENTS TO BE INSPECTED BY THE ENGINEER AND SHALL NOT BE CONCRETED BEFORE HIS APPROVAL
11. UNLESS OTHERWISE STATED ALL CONCRETE TO BE MACHINE MIXED AND VIBRATED.



P.O Box 67839-00200
Nairobi, KENYA

No.	REVISION	APPROVAL	DATE	REFERENCE	DWG No.

PROJECT NAME:
**WATER HARVESTING
TECHNOLOGIES IN KAJIADO AND
NAROK COUNTIES**

TITLE OF DRAWING:
**STANDARD STAND PIPES
DETAILS
TYPE A, B & C**

Designed:	M.A.O	Date:	DECEMBER-2016
Drawn:	M.A.O	Scale:	N.T.S
Checked:	M.O	DRG. No.:	FW/8GR/SDB.019
Approved:	M.O	Sheet No.:	10B/21